

DRAWING REVISIONS

#	DATE	BY	DESCRIPTION
0	12/16/19	SY	SHOP DWG TEMPLATE



**GALVASHIELD® ANODES  
CORROSION PROTECTION  
SHOP DRAWINGS**

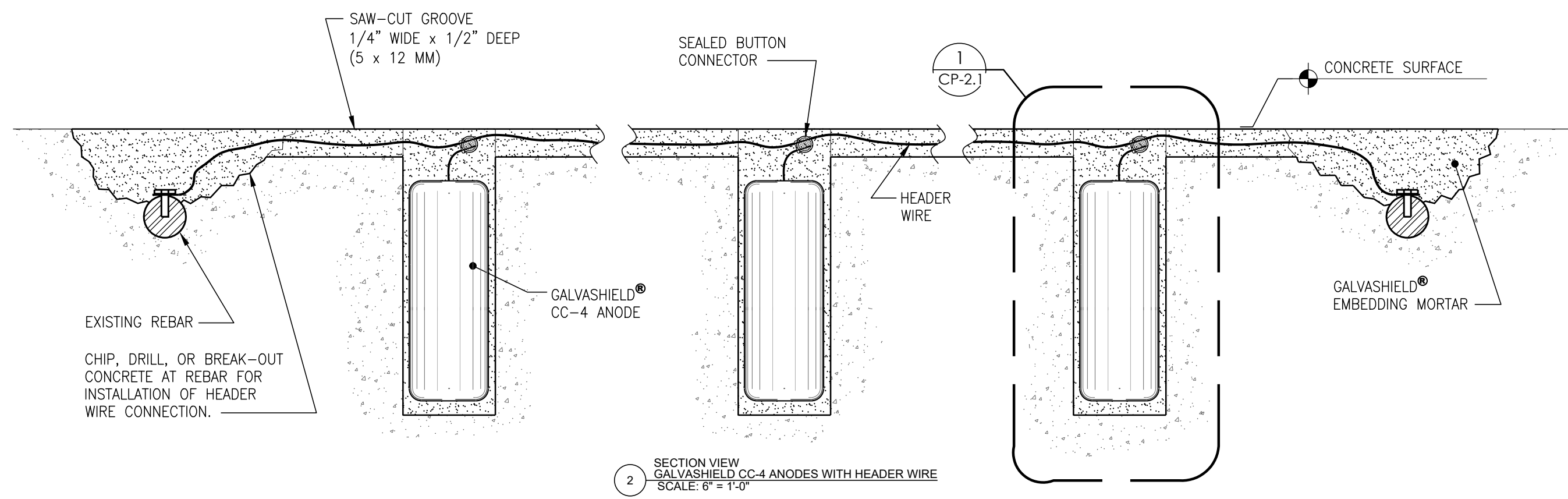
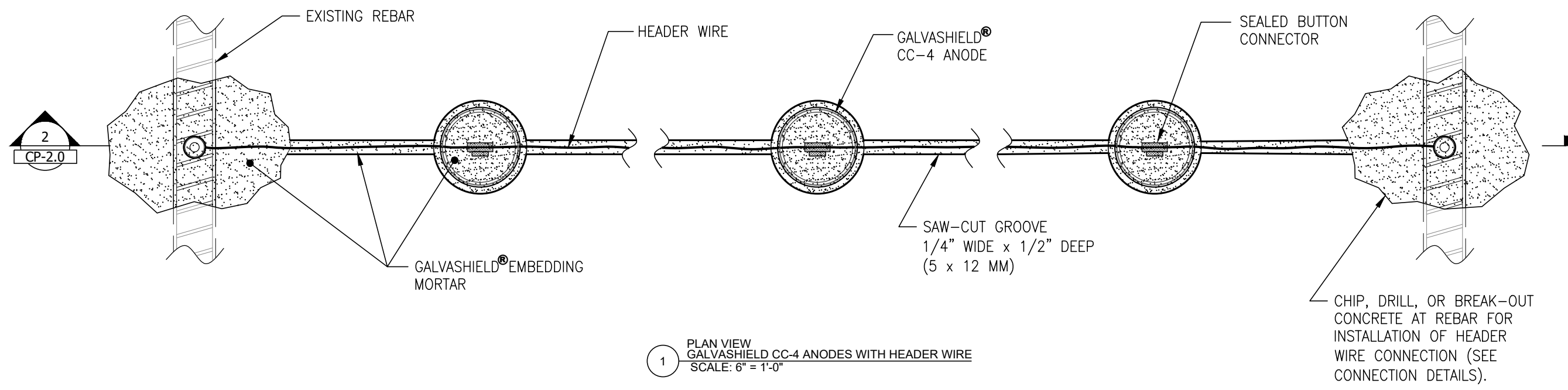
**GALVASHIELD® CC-4  
ANODE INSTALLATION  
WITH HEADER WIRE**

VECTOR CORROSION TECHNOLOGIES  
474B DOVERCOURT DRIVE, WINNIPEG, MB R3Y 1G4  
PH: (204) 489-9611  
WWW.VECTOR-CORROSION.COM

PROJECT NO.

DRAWING NO.

CP-2.0



DRAWING REVISIONS

#	DATE	BY	DESCRIPTION
0	12/16/19	SY	SHOP DWG TEMPLATE



**GALVASHIELD® ANODES  
CORROSION PROTECTION  
SHOP DRAWINGS**

**GALVASHIELD® CC-4  
ANODE INSTALLATION  
WITH HEADER WIRE**

VECTOR CORROSION  
TECHNOLOGIES

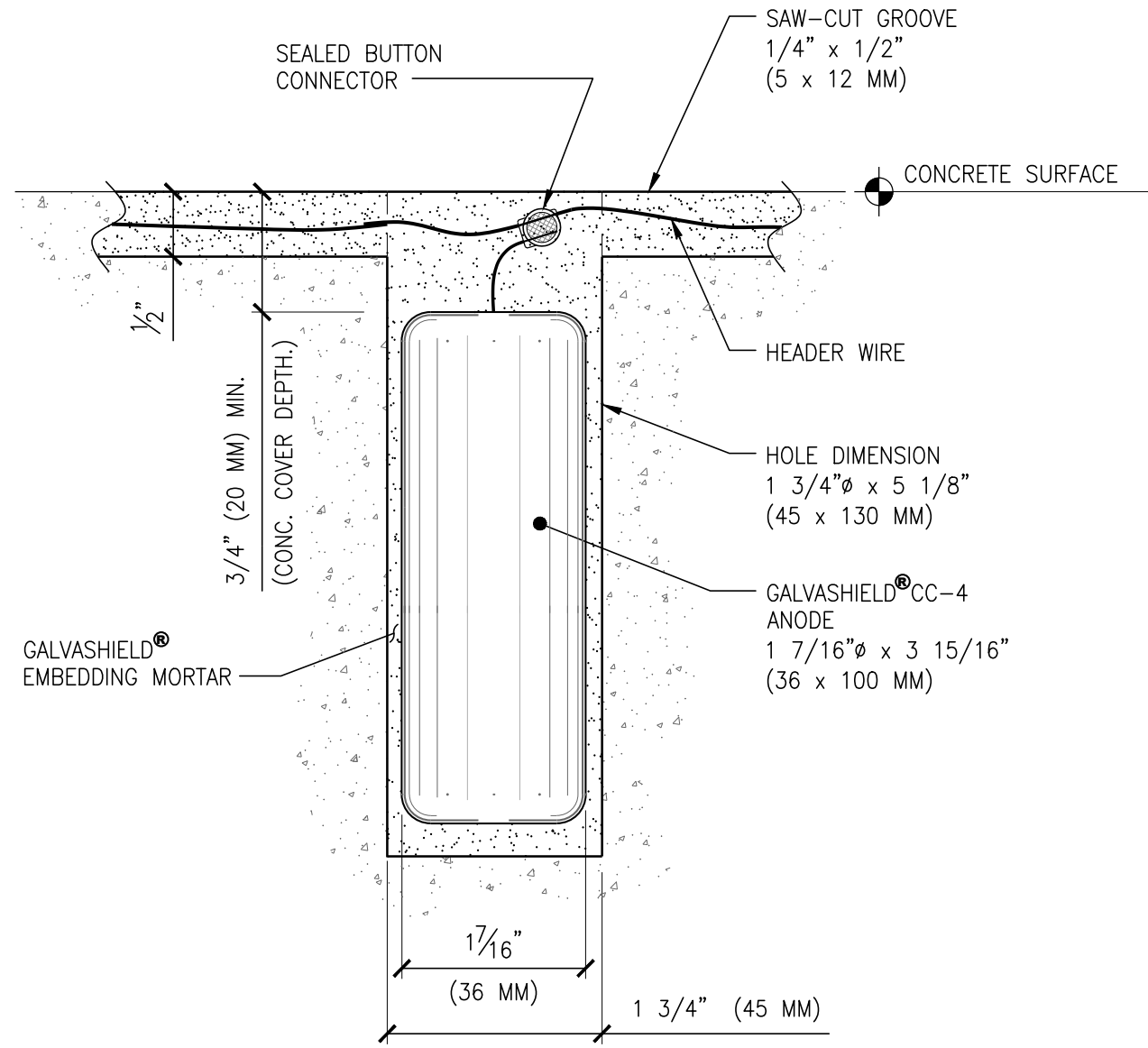
474B DOVERCOURT  
DRIVE, WINNIPEG, MB  
R3Y 1G4

PH: (204) 489-9611  
WWW.VECTOR-CORROSION.COM

PROJECT NO.

DRAWING NO.

CP-2.1



1 SECTION VIEW  
GALVASHIELD CC-4 ANODE - INSTALLATION WITH HEADER WIRE  
SCALE: 9" = 1'-0"

DRAWING REVISIONS			
#	DATE	BY	DESCRIPTION
0	12/16/19	SY	SHOP DWG TEMPLATE



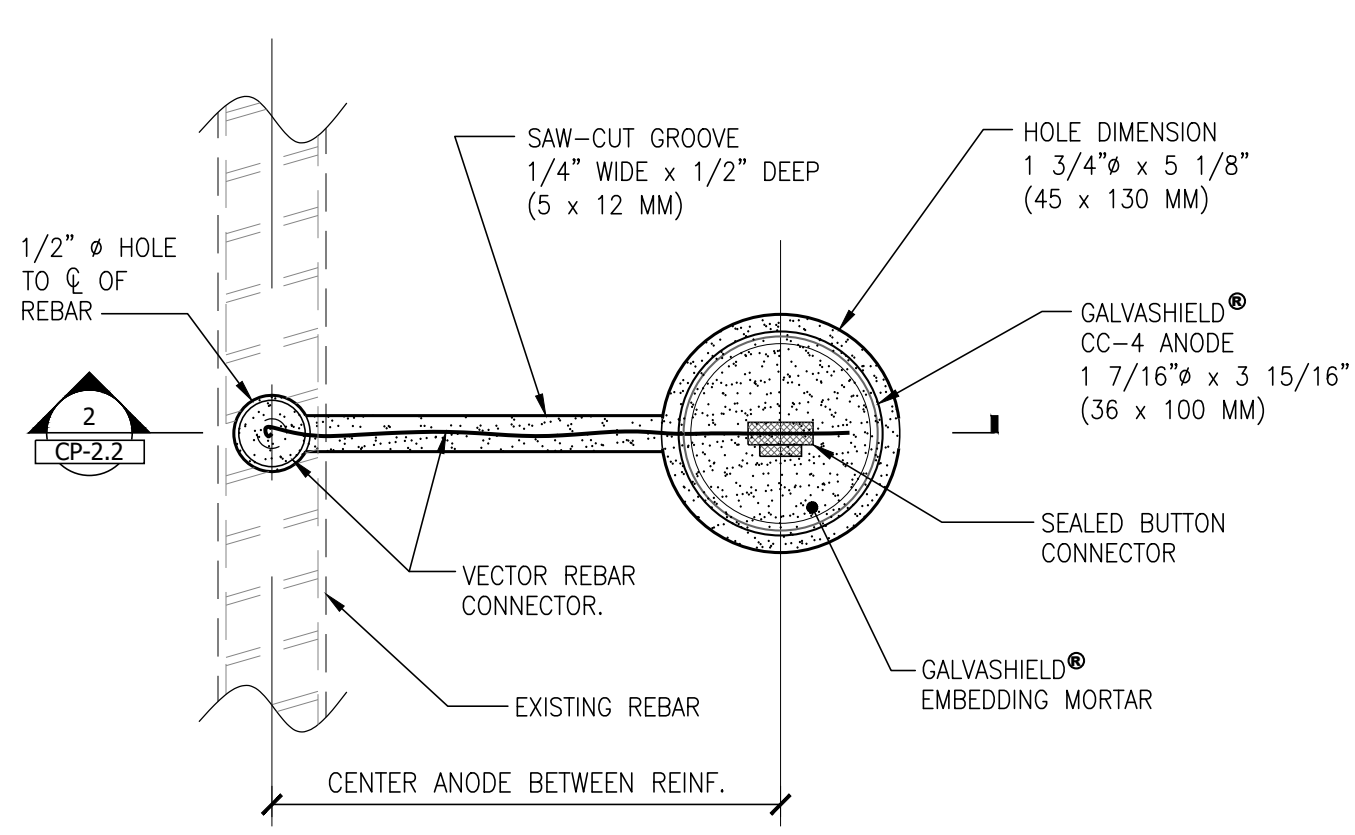
**GALVASHIELD® ANODES  
CORROSION PROTECTION  
SHOP DRAWINGS**

**GALVASHIELD® CC-4  
INSTALLATION WITH  
DIRECT CONNECTION**

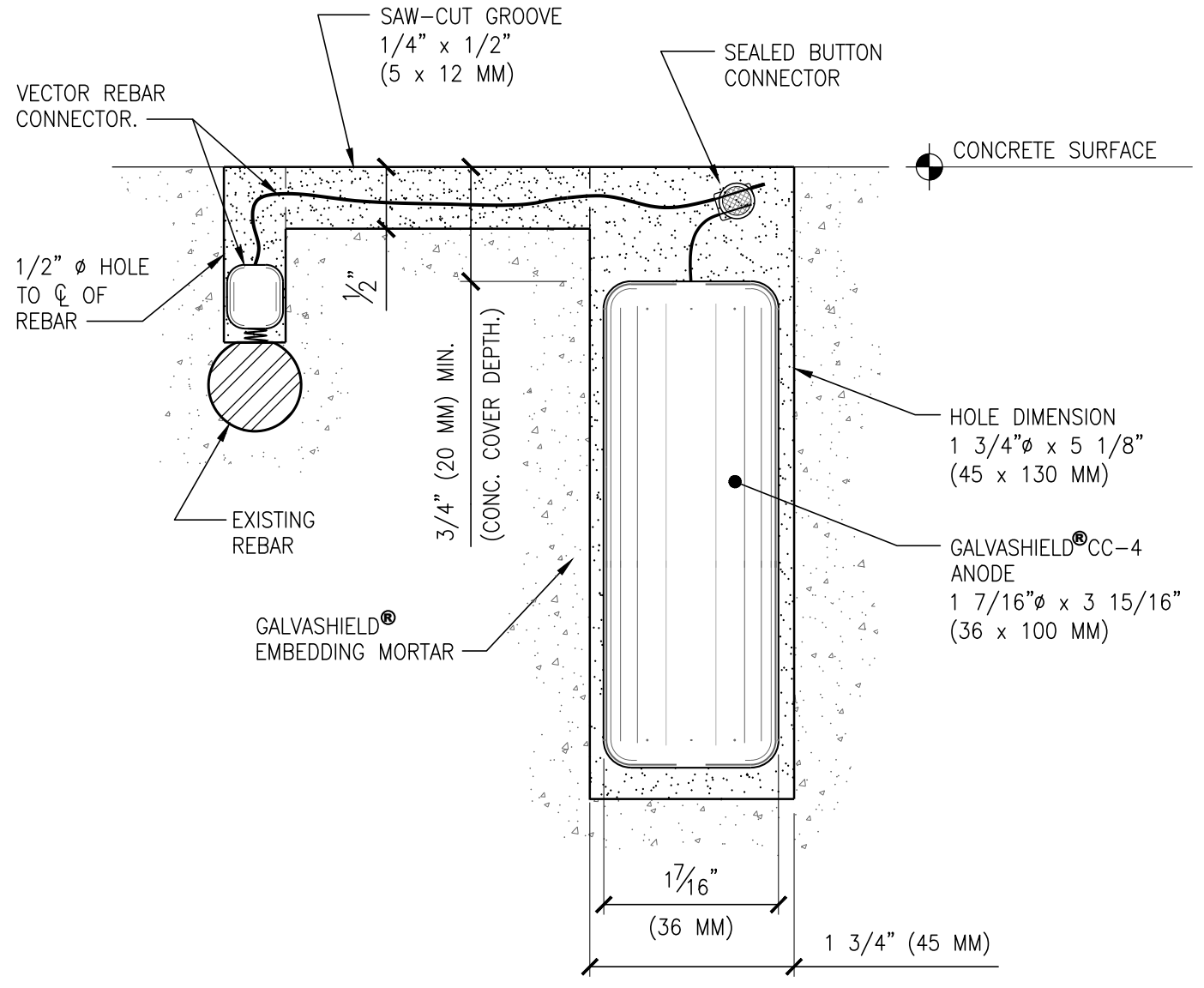
VECTOR CORROSION TECHNOLOGIES  
474B DOVERCOURT DRIVE, WINNIPEG, MB R3Y 1G4  
PH: (204) 489-9611  
WWW.VECTOR-CORROSION.COM

PROJECT NO.

DRAWING NO.  
**CP-2.2**



1 PLAN VIEW  
GALVASHIELD CC-4 ANODE - DIRECT CONNECTION  
SCALE: 9" = 1'-0"



2 SECTION VIEW  
GALVASHIELD CC-4 ANODE - DIRECT CONNECTION  
SCALE: 9" = 1'-0"